



RECOMMENDED POWER SUPPLY
12V / 40W, DIN-RAIL, SLIM
MODEL: CF-MDR-40-12

Industrial 4-Port USB 3.0 Hub (Part Number: USB30-HUB-2 (3.0/4-Port))



Communications made easy

[Http://www.CommFront.com](http://www.CommFront.com)

Industrial 4-Port USB 3.0 Hub

Part Number: USB30-HUB-2 (3.0/4-Port) (DIN-Rail/Wall Mount)



■ INTRODUCTION

The USB30-HUB-2 (3.0/4-Port) is a rugged, industrial-grade 4-port USB 3.0 hub (backward compatible with USB 2.0/1.x) that can be used to expand one USB 3.0 port into four. This product supports data rates up to 5Gbps and it comes with 1 upstream USB 3.0 port (type B) and 4 downstream USB 3.0 ports (type A). The unit delivers up to 900mA downstream power on each port and it features 15kV ESD protection, 600W surge protection, and plug-and-play (hot-pluggable). This industrial USB 3.0 hub comes with redundant DC power input and thanks to the professional casing design and mounting brackets (included), the product can be mounted on a DIN rail, a wall, or a panel, making it an ideal solution for all types of industrial USB expansion applications.

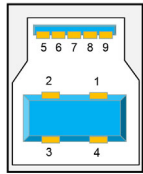
■ FEATURES

- Industrial grade enclosed in a rugged steel housing
- USB 3.0 hub, backward compatible with USB 2.0/1.x
- Expands one USB 3.0 port into four: 4 downstream USB 3.0 ports (type A); 1 upstream USB 3.0 port (type B)
- Supports data rates up to 5Gbps
- 900mA downstream power on each port
- Plug and play (hot-pluggable)
- Redundant 9 to 24VDC input via terminal block or DC jack
- DIN-Rail or wall/panel mounting (kit included)
- Operating temperature: 32°F to 104°F (0°C to 40°C).
- Built-in 15kV ESD protection (USB interface)
- Built-in 600W surge protection (power input on each port)
- Surface Mount Technology manufactured to RoHS and ISO-9001 standards
- Compliance: CE, FCC
- 5-year manufacturer's warranty

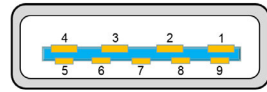
■ SPECIFICATIONS

Compatibility:	USB 3.0 (backward compatible with USB 2.0/1.x)
Power Source:	Redundant 9 to 24VDC (sold separately)
Data Rates:	Up to 5Gbps
Connectors:	Upstream: 1x type B; Downstream: 4x type A
Distances:	USB: 16ft (5m)
Accessories:	1x 6.6ft (2m) USB 3.0 type A to B cable
ESD Protection:	15kV, USB interface
Surge Protection:	600W, power input, each port
Dimensions (H x W x D):	6.0 x 2.7 x 1.0 in (152 x 69 x 25 mm) (without brackets)
Dimensions (DC Barrel Plug):	Ø5.5mm / Ø2.1mm
Weight:	21 oz (600 g)
Mounting:	DIN rail or wall/panel mount (kit included)
Operating Temperature:	32°F to 104°F (0°C to 40°C)
Storage Temperature:	-4°F to 122°F (-20°C to 50°C)
Operating Humidity:	0~85% RH (non-condensing)

■ USB 3.0 CONNECTOR PINOUTS



USB 3.0 Type B Upstream Port



USB 3.0 Type A Downstream Port

Pin	Signal Name		Description
	Type A	Type B	
1	VBUS		5VDC Power
2	D-		USB2.0 data pair
3	D+		
4	GND		Ground for power return
5	StdA_SSTX-	StdB_SSTX-	SuperSpeed transmitter pair
6	StdA_SSTX+	StdB_SSTX+	
7	GND_DRAIN	GND_DRAIN	Ground for signal return
8	StdA_SSRX-	StdB_SSRX-	SuperSpeed receiver pair
9	StdA_SSRX+	StdB_SSRX+	
Shell	Shield		Metal housing

■ PACKING CONTENTS

- USB30-HUB-2 x1
- 6.6ft (2m) USB 3.0 type A to B cable x1
- DIN-Rail & wall/panel mounting kit x1
- Terminal block x1

■ INSTALLATIONS

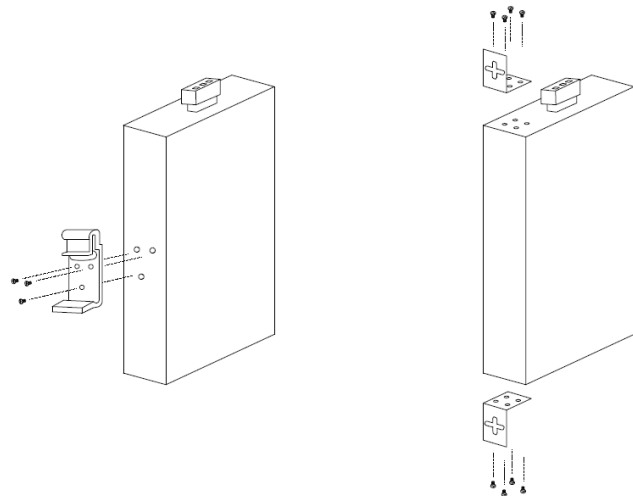


FIGURE 1: DIN-RAIL OR WALL/PANEL MOUNTING

■ DIMENSIONS

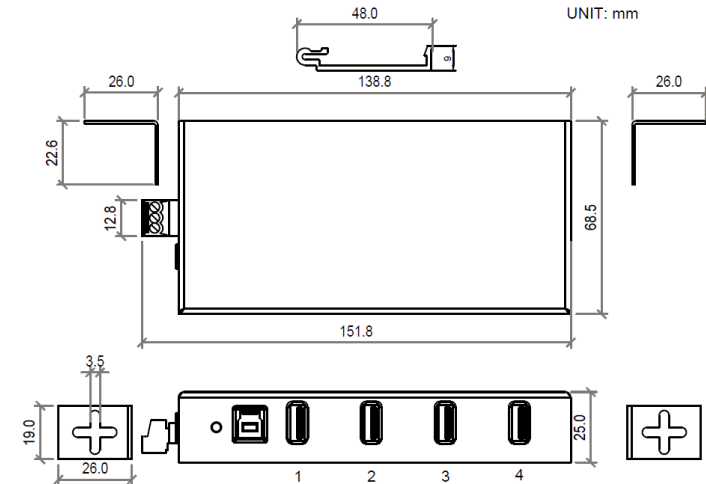
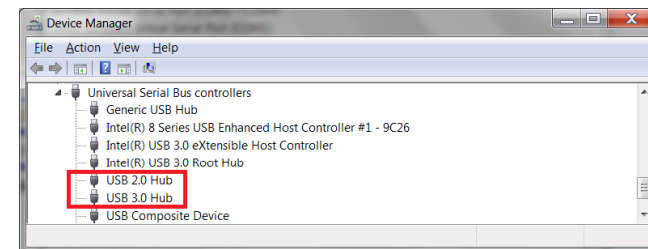


FIGURE 2: USB30-HUB-2 (3.0/4-PORT) DIMENSIONS

■ DRIVER INSTALLATION NOTES

- Driver installation will start automatically when the USB30-HUB-2 is connected to your computer for the very first time, and it typically takes about 5 to 10 minutes to complete. Once drivers are successfully installed, a USB 2.0 hub and a USB 3.0 hub will show up under the Device Manager (Windows).



- Once drivers are successfully installed, you can connect your USB devices to the USB30-HUB-2 and it typically takes about 1 to 3 minutes for the new devices to work.

■ TROUBLESHOOTING

- Once drivers are successfully installed, check Device Manager (Windows) and be sure that a "USB 2.0 hub" and a "USB 3.0 hub" show up under "USB Serial Bus Controllers" when the USB30-HUB-2 is connected to your computer.
- Check Device Manager (Windows) and be sure that your new USB devices show up under their respective categories, e.g. mouse, keyboards, or imaging devices, etc.
* Please note that if it is the first time you connect a new USB device to the USB30-HUB-2, it typically takes about 1 to 3 minutes for the new USB device to work.