



RECOMMENDED POWER SUPPLY
12V / 40W, DIN-RAIL, SLIM
MODEL: CF-MDR-40-12

Industrial 7-Port USB 3.0 Hub (Part Number: USB30-HUB-2 (3.0/7-Port))



Communications made easy

[Http://www.CommFront.com](http://www.CommFront.com)

Industrial 7-Port USB 3.0 Hub

Part Number: USB30-HUB-2 (3.0/7-Port) (DIN-Rail/Wall Mount)



■ INTRODUCTION

The USB30-HUB-2 (3.0/7-Port) is a rugged, industrial-grade 7-Port USB 3.0 hub (backward compatible with USB 2.0/1.x) that can be used to expand one USB 3.0 port into seven. This product supports data rates up to 5Gbps and it comes with 1 upstream USB 3.0 port (type B) and 7 downstream USB 3.0 ports (type A). The unit delivers up to 900mA downstream power on each port and it features 15kV ESD protection, 600W surge protection, and plug-and-play (hot-pluggable). This industrial USB 3.0 hub comes with redundant DC power input and thanks to the professional casing design and mounting brackets (included), the product can be mounted on a DIN rail, a wall, or a panel, making it an ideal solution for all types of industrial USB expansion applications.

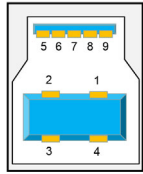
■ FEATURES

- Industrial grade enclosed in a rugged steel housing
- USB 3.0 hub, backward compatible with USB 2.0/1.x
- Expands one USB 3.0 port into seven: 7 downstream USB 3.0 ports (type A); 1 upstream USB 3.0 port (type B)
- Supports data rates up to 5Gbps
- 900mA downstream power on each port
- Plug and play (hot-pluggable)
- Redundant 9 to 24VDC input via terminal block or DC jack
- DIN-Rail or wall/panel mounting (kit included)
- Operating temperature: 32°F to 104°F (0°C to 40°C).
- Built-in 15kV ESD protection (USB interface)
- Built-in 600W surge protection (power input on each port)
- Surface Mount Technology manufactured to RoHS and ISO-9001 standards
- Compliance: CE, FCC
- 5-year manufacturer's warranty

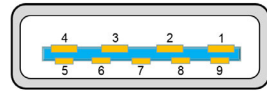
■ SPECIFICATIONS

Compatibility:	USB 3.0 (backward compatible with USB 2.0/1.x)
Power Source:	Redundant 9 to 24VDC (sold separately)
Data Rates:	Up to 5Gbps
Connectors:	Upstream: 1x type B; Downstream: 7x type A
Distances:	USB: 16ft (5m)
Accessories:	1x 6.6ft (2m) USB 3.0 type A to B cable
ESD Protection:	15kV, USB interface
Surge Protection:	600W, power input, each port
Dimensions (H x W x D):	6.0 x 2.7 x 1.0 in (152 x 69 x 25 mm) (without brackets)
Dimensions (DC Barrel Plug):	Ø5.5mm / Ø2.1mm
Weight:	22 oz (620 g)
Mounting:	DIN rail or wall/panel mount (kit included)
Operating Temperature:	32°F to 104°F (0°C to 40°C)
Storage Temperature:	-4°F to 122°F (-20°C to 50°C)
Operating Humidity:	0~85% RH (non-condensing)

■ USB 3.0 CONNECTOR PINOUTS



USB 3.0 Type B Upstream Port



USB 3.0 Type A Downstream Port

Pin	Signal Name		Description
	Type A	Type B	
1	VBUS		5VDC Power
2	D-		USB2.0 data pair
3	D+		
4	GND		Ground for power return
5	StdA_SSTX-	StdB_SSTX-	SuperSpeed transmitter pair
6	StdA_SSTX+	StdB_SSTX+	
7	GND_DRAIN	GND_DRAIN	Ground for signal return
8	StdA_SSRX-	StdB_SSRX-	SuperSpeed receiver pair
9	StdA_SSRX+	StdB_SSRX+	
Shell	Shield		Metal housing

■ PACKING CONTENTS

- USB30-HUB-2 x1
- 6.6ft (2m) USB 3.0 type A to B cable x1
- DIN-Rail & wall/panel mounting kit x1
- Terminal block x1

■ INSTALLATIONS

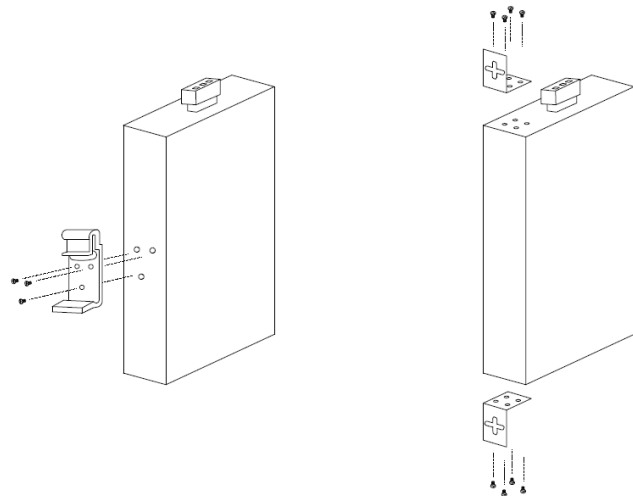


FIGURE 1: DIN-RAIL OR WALL/PANEL MOUNTING

■ DIMENSIONS

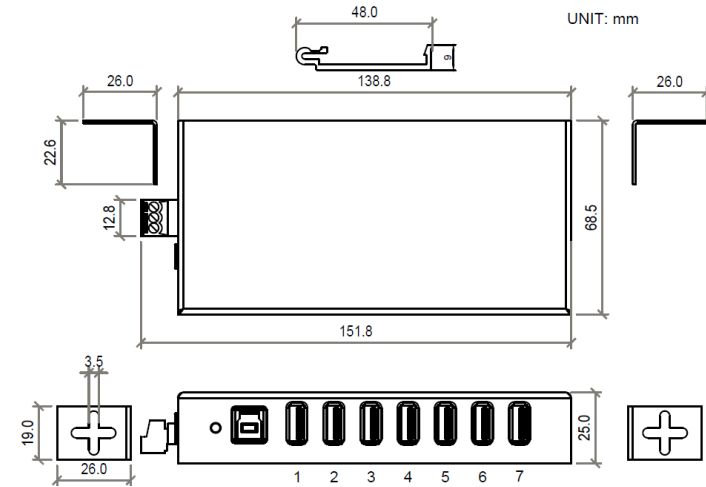
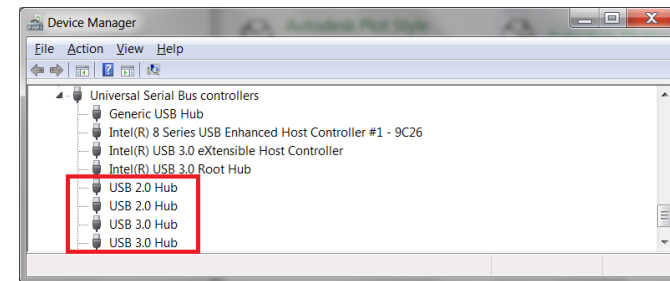


FIGURE 2: USB30-HUB-2 (3.0/7-Port) DIMENSIONS

■ DRIVER INSTALLATION NOTES

- Driver installation will start automatically when the USB30-HUB-2 is connected to your computer for the very first time, and it typically takes about 5 to 10 minutes to complete. Once drivers are successfully installed, two USB 2.0 hubs and two USB 3.0 hubs will show up under the Device Manager (Windows).



- Once drivers are successfully installed, you can connect your USB devices to the USB30-HUB-2 and it typically takes about 1 to 3 minutes for the new devices to work.

■ TROUBLESHOOTING

- Once drivers are successfully installed, check Device Manager (Windows) and be sure that two "USB 2.0 hub" and two "USB 3.0 hub" show up under "USB Serial Bus Controllers" when the USB30-HUB-2 is connected to your computer.
- Check Device Manager (Windows) and be sure that your new USB devices show up under their respective categories, e.g. mouse, keyboards, or imaging devices, etc.
* Please note that if it is the first time you connect a new USB device to the USB30-HUB-2, it typically takes about 1 to 3 minutes for the new USB device to work.